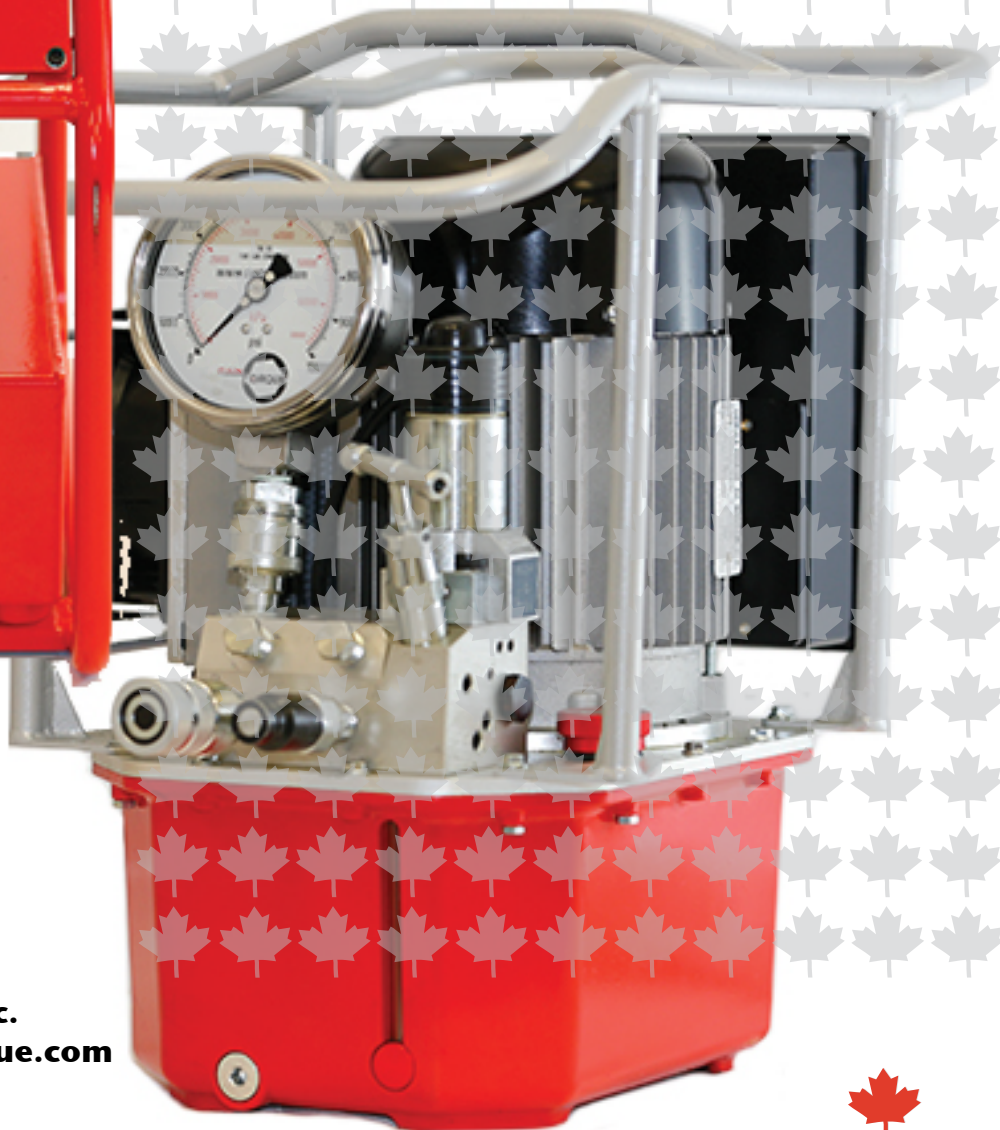
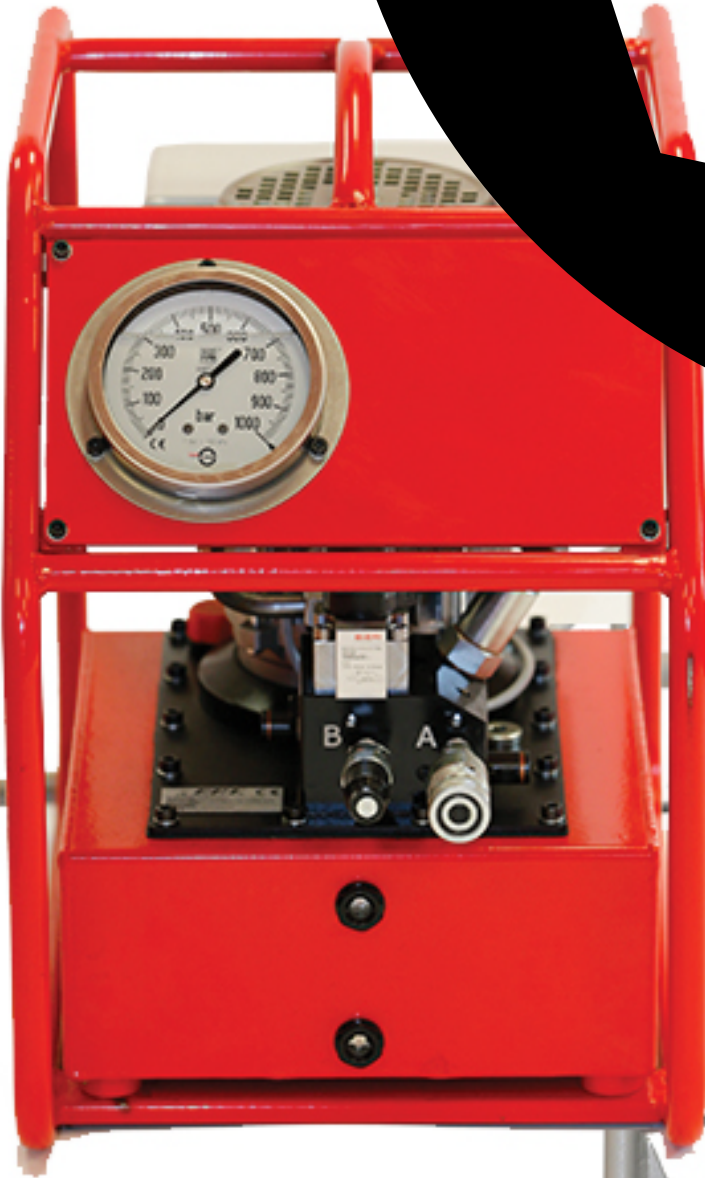


# Turbo SERIES

Electric and Air Pumps



CanTorque Inc.  
[www.cantorque.com](http://www.cantorque.com)



# Turbo Series

## Electric Pump

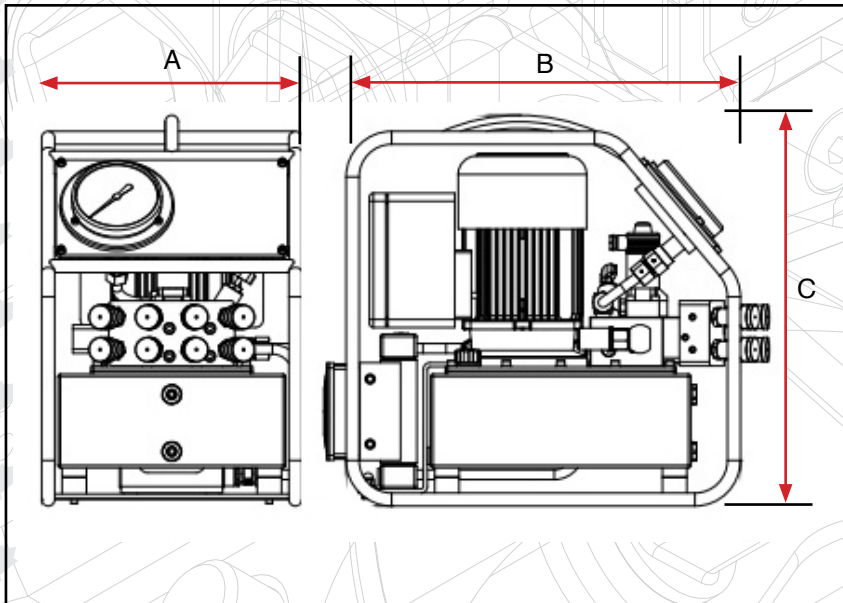
### TE-1000

- Single phase motor
- Two stage
- Starts under full load
- 115V and 230V available
- Site glass standard to monitor oil level
- Multi-port manifold (max 4 ports) optional
- Precise PSI/BAR pressure gauge
- Quick connect, no drip couplers
- Supplied with dual, non-conductive high pressure 15' hose set
- Hose sets available in custom length
- Completely enclosed motor housing and electronics
- Rugged remote pendant to control motor and valve

### Specifications

- Voltage: 115V
- Frequency: 60Hz
- Power: 1.5 KW
- Flow rate: 99-11 GPH
- Oil tank capacity: 2.6 Gallon
- Output pressure: 1000-10,000 PSI
- Weight: 79 lbs
- Dimension: 12" x 19" x 18"
- Motor revolution: 2850 rpm
- Valve Control: Solenoid

Specifications may change without notice.



TE-1000 Dimensions



TE-1000 (optional Quadra Port)





# Turbo Series

Electric Pump

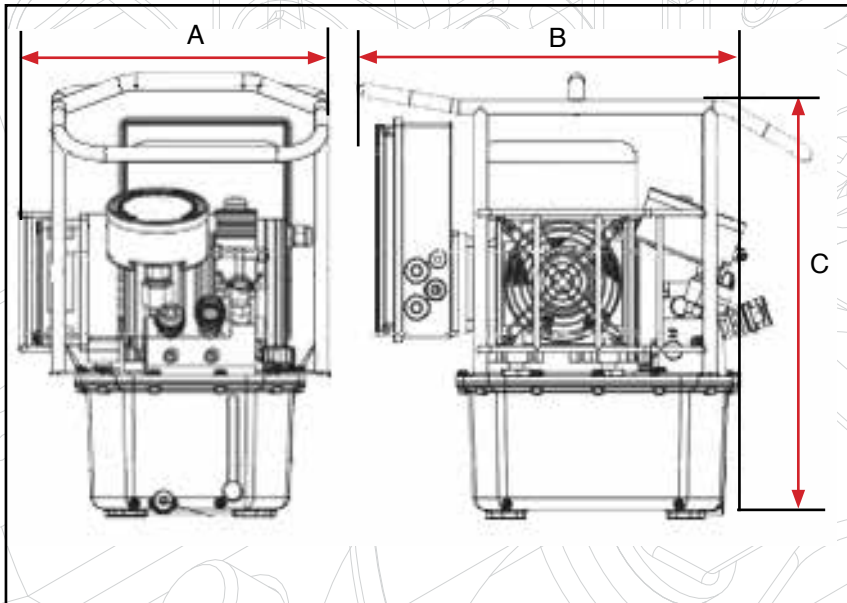
## TE-1000-MC

- Three stage delivery
- Starts under full load
- 115V and 220V available
- Site glass standard to monitor oil level
- Standard dual port, optional 4 port available
- Precise PSI/BAR pressure gauge
- Quick connect, no drip couplers
- Supplied with dual, non-conductive high pressure 15' hose set
- Hose sets available in custom length
- Completely enclosed motor housing and electronics
- Acceptable working temperature -20F to 120F

## Specifications

- Voltage: 115V
- Frequency: 60Hz
- Power: 1.1KW
- Flow rate: 113-10 GPH
- Oil tank capacity: 2 Gallon
- Output pressure: 1000-10,000 PSI
- Weight: 50 Lb
- Dimension: 12" x 17" x 16" Motor revolution: 3445 rpm
- Amperage: 12.6 A
- Valve Control: Solenoid

Specifications may change without notice.



TE-1000-MC Dimensions



TE-1000 MC



info@cantorque.com



# Turbo Series

## Air Pump

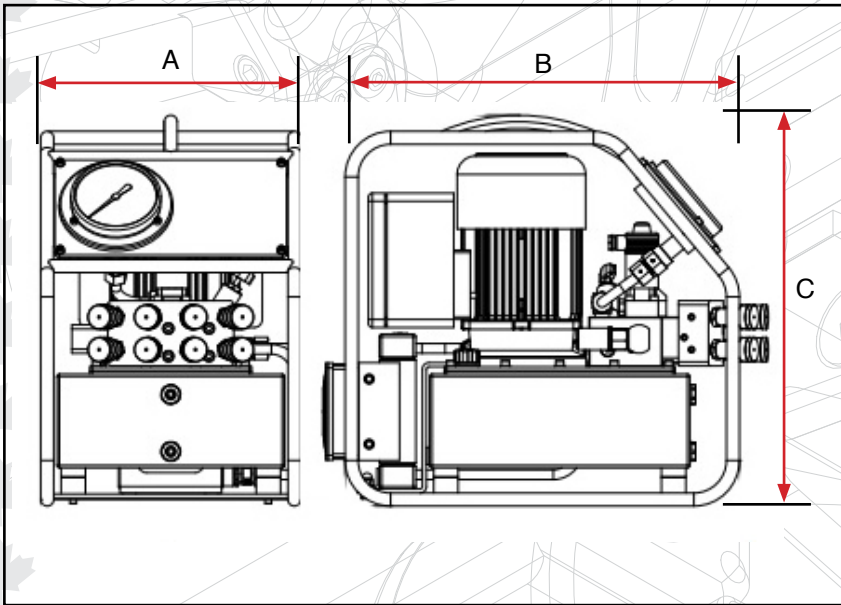
### TA-1000

- Single phase motor
- Two stage
- Starts under full load
- Site glass standard to monitor oil level
- Multi-port manifold (max 4 ports) optional
- Precise PSI/BAR pressure gauge
- Quick connect, no drip couplers
- Supplied with dual, non-conductive high pressure 15' hose set
- Hose sets available in custom length
- Completely enclosed motor housing and electronics
- Rugged remote pendant to control motor and valve

### Specifications

- Power: 3KW
- Flow rate: 199-11GPH
- Oil tank capacity: 2.6 Gallon
- Output pressure: 1000-10,000 psi
- Weight: 75 lbs
- Dimension: 12" x 19" x 18"
- Motor revolution: 3000 rpm
- Valve Control: Solenoid

Specifications may change without notice.



TA-1000 Dimensions



TA-1000 (optional Quadra Port)